

TRANSLUCENT WALL PANELS

GE0001 - TRANSLUCENT WALL PANEL LAP - REVERSE R-PANEL & A-PANEL

GE0002 - TRANSLUCENT WALL PANEL LAP - R-PANEL

GE0010 - TRANSLUCENT WALL PANEL SIDELAP - R-PANEL

GE0035 - ALT. OUTSIDE CORNER AT TRANSLUCENT WALL PANEL - R-PANEL

GE0040 - TRANSLUCENT WALL PANEL SIDELAP - A-PANEL

GE0065 - ALT. OUTSIDE CORNER AT TRANSLUCENT WALL PANEL - A-PANEL

GE0070 - TRANSLUCENT WALL PANEL SIDELAP - REV R-PANEL

GE0095 - ALT. OUTSIDE CORNER AT TRANSLUCENT WALL PANEL - REV R-PANEL

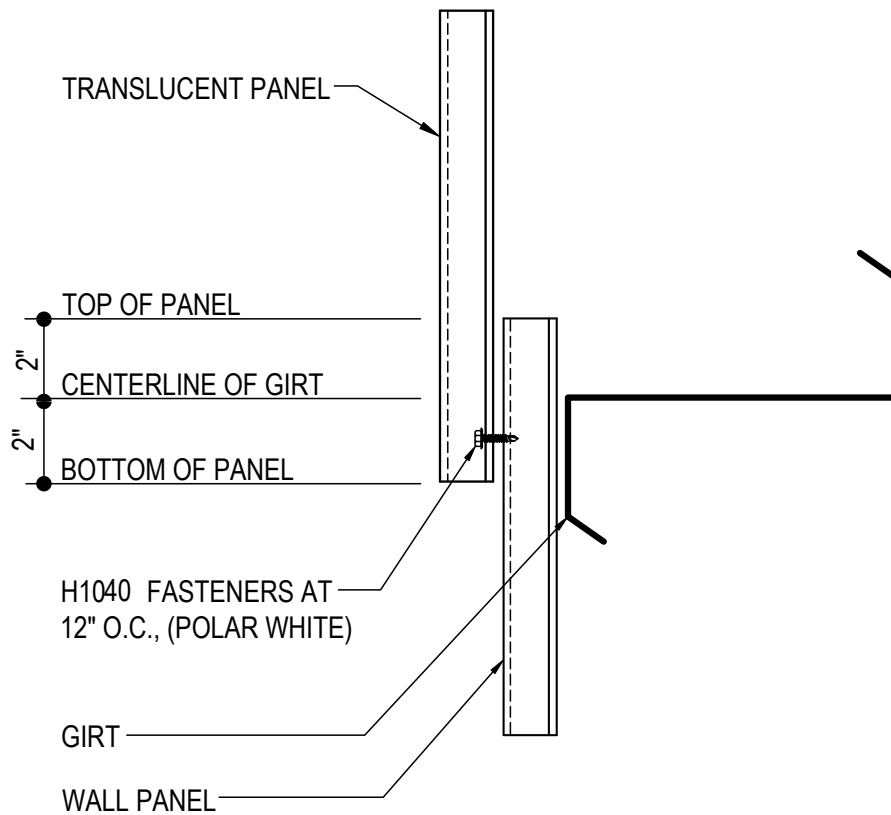
GE0100 - LOW EAVE WITH TRANSLUCENT WALL PANEL

GE0110 - RAKE WITH TRANSLUCENT WALL PANEL

GE0120 - HIGH EAVE WITH TRANSLUCENT WALL PANEL

GE0001 - TRANSLUCENT WALL PANEL LAP DETAIL - REVERSE R-PANEL & A-PANEL

[Download the DWG file by clicking here.](#)



TRANSLUCENT PANEL LAP

TRANSLUCENT PANEL TO METAL PANEL

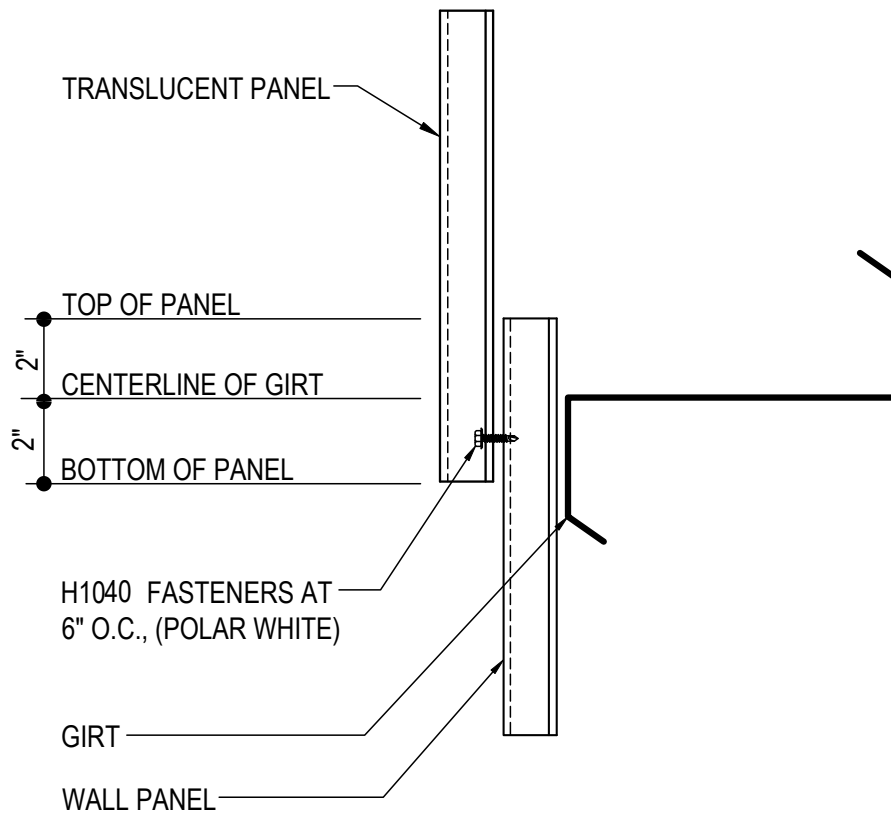
GE0001

Detailer Notes:

1) N/A

GE0002 - TRANSLUCENT WALL PANEL LAP DETAIL - R-PANEL

[Download the DWG file by clicking here.](#)



TRANSLUCENT PANEL LAP

TRANSLUCENT PANEL TO METAL PANEL

GE0002

Detailer Notes:

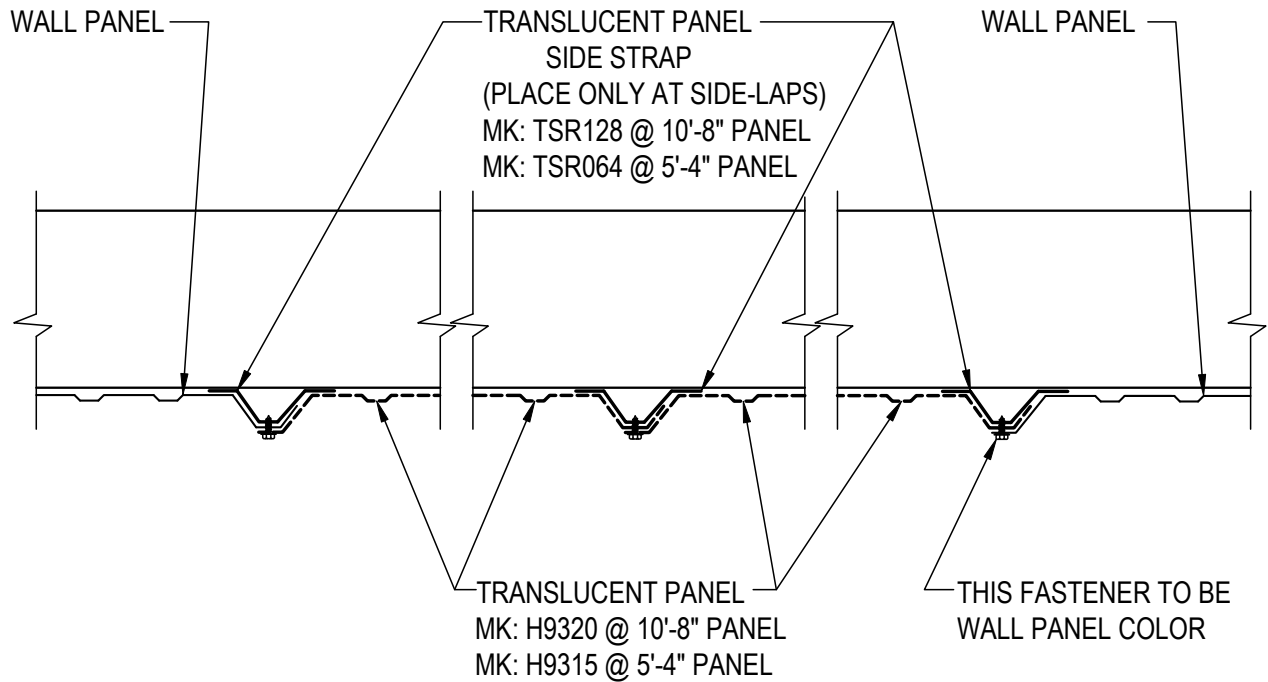
1) N/A

GE0010 - TRANSLUCENT WALL PANEL SIDELAP DETAIL - R-PANEL

[Download the DWG file by clicking here.](#)

FASTENER REQUIREMENTS

FASTEN TO GIRTS @ MID-SPAN W/ H1040 AT 12" O.C.	FASTEN SIDELAPS W/H1060 AT 30" O.C. MAX.
FASTEN ENDLAPS W/H1040 AT 6" O.C.	FASTEN @ EAVE & RAKE W/ H1040 AT 12" O.C.



TRANSLUCENT PANEL SIDELAP DETAIL

TRANSLUCENT PANEL FASTENERS ARE POLAR WHITE

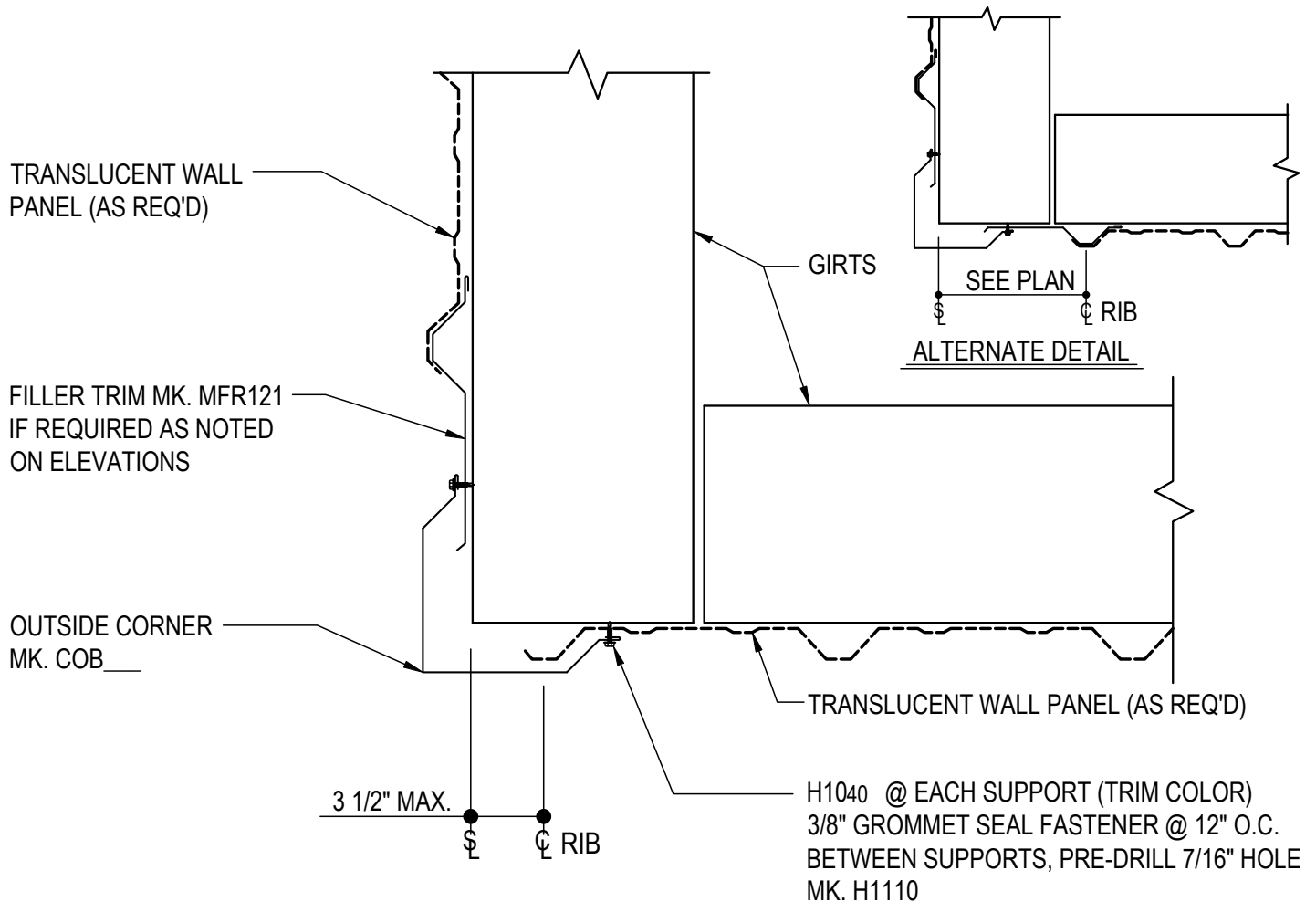
GE0010

Detailer Notes:

1) N/A

GE0035 - ALT. OUTSIDE CORNER AT TRANSLUCENT WALL PANEL - R-PANEL

[Download the DWG file by clicking here.](#)



ALT. OUTSIDE CORNER DETAIL

TRANSLUCENT WALL PANEL

GE0035

Detailer Notes:

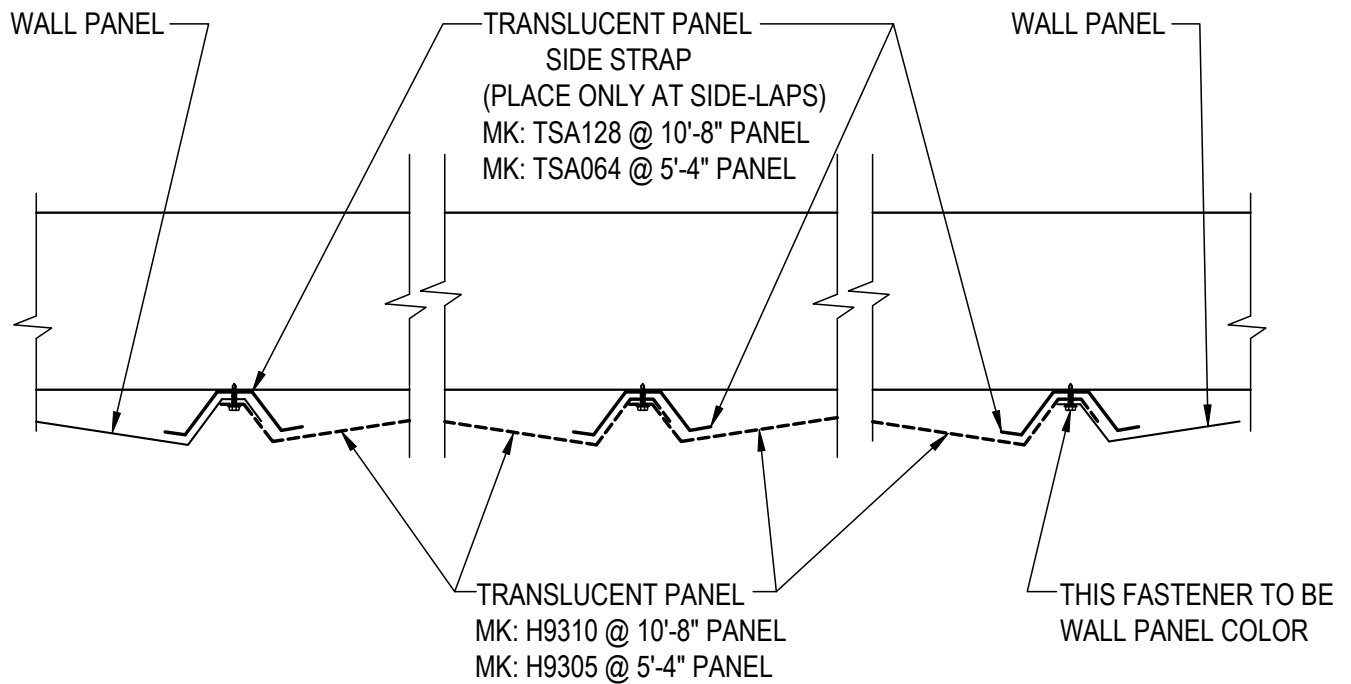
- 1) N/A

GE0040 - TRANSLUCENT WALL PANEL SIDELAP DETAIL - A-PANEL

[Download the DWG file by clicking here.](#)

FASTENER REQUIREMENTS

FASTEN TO GIRTS @ MID-SPAN W/ H1040 AT 12" O.C.	FASTEN SIDELAPS W/H1060 AT 30" O.C. MAX.
FASTEN ENDLAPS W/H1040 AT 6" O.C.	FASTEN @ EAVE & RAKE W/ H1040 AT 12" O.C.



TRANSLUCENT PANEL SIDELAP DETAIL

TRANSLUCENT PANEL FASTENERS ARE POLAR WHITE

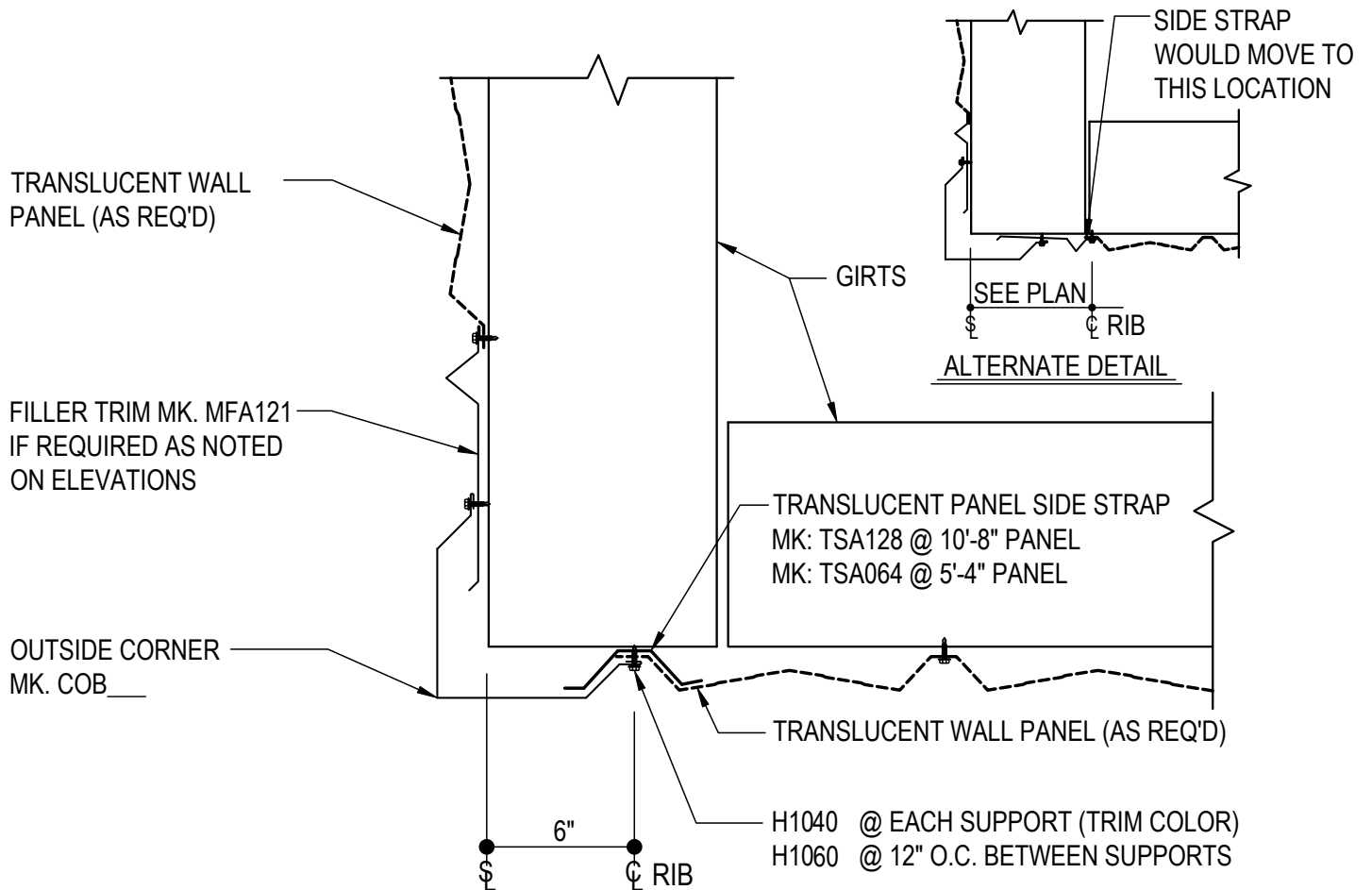
GE0040

Detailer Notes:

1) N/A

GE0065 - ALT. OUTSIDE CORNER AT TRANSLUCENT WALL PANEL - A-PANEL

[Download the DWG file by clicking here.](#)



ALT. OUTSIDE CORNER DETAIL

TRANSLUCENT WALL PANEL

GE0065

Detailer Notes:

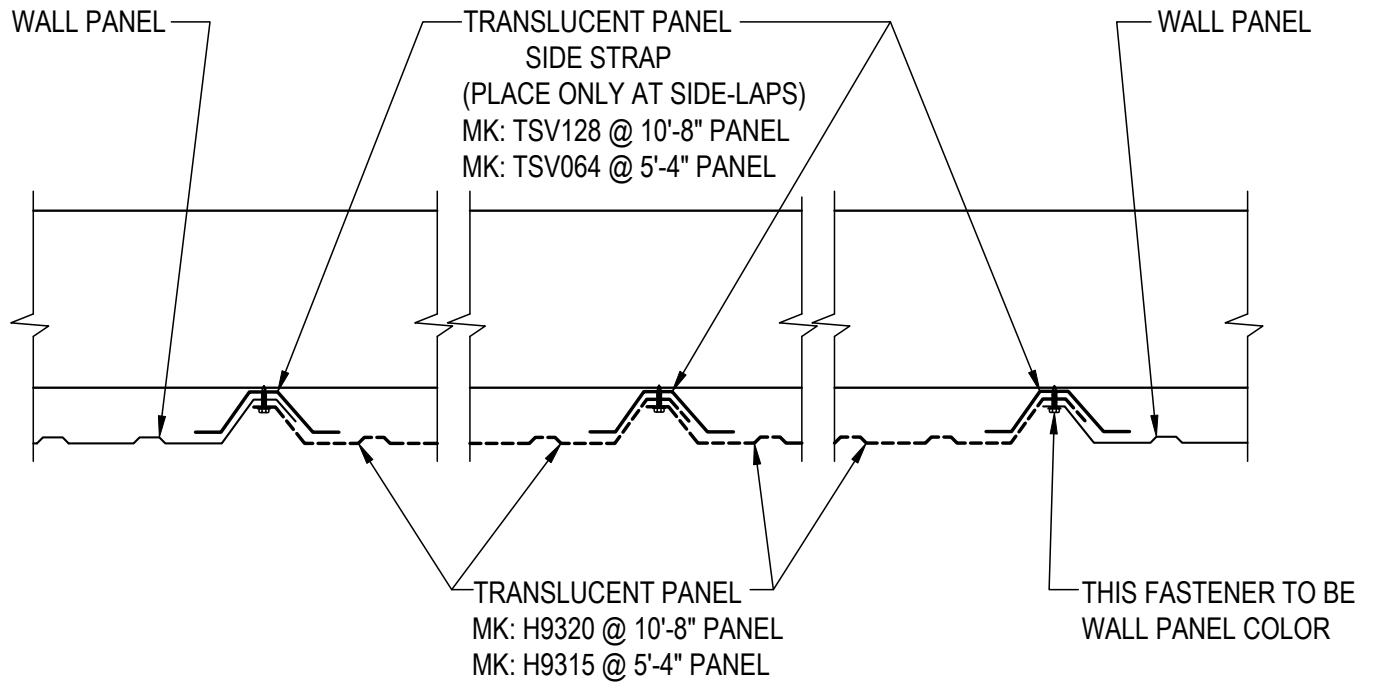
- 1) N/A

GE0070 - TRANSLUCENT WALL PANEL SIDELAP DETAIL - REVERSE R-PANEL

[Download the DWG file by clicking here.](#)

FASTENER REQUIREMENTS

FASTEN TO GIRTS @ MID-SPAN W/ H1040 AT 12" O.C.	FASTEN SIDELAPS W/H1060 AT 30" O.C. MAX.
FASTEN ENDLAPS W/H1040 AT 12" O.C.	FASTEN @ EAVE & RAKE W/ H1040 AT 12" O.C.



TRANSLUCENT PANEL SIDELAP DETAIL

TRANSLUCENT PANEL FASTENERS ARE POLAR WHITE

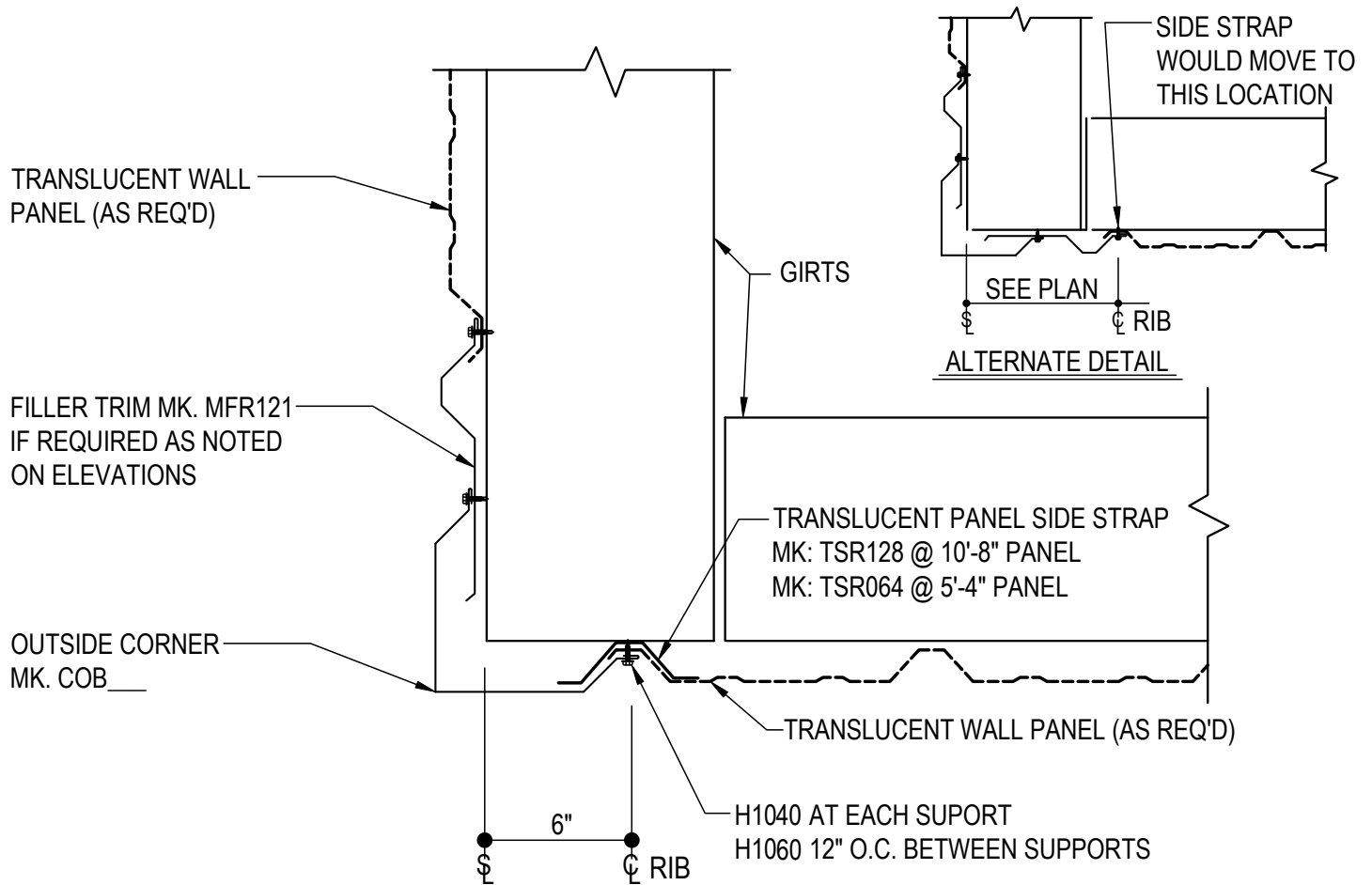
GE0070

Detailer Notes:

1) N/A

GE0095 - ALT. OUTSIDE CORNER AT TRANSLUCENT WALL PANEL - REVERSE R-PANEL

[Download the DWG file by clicking here.](#)



ALT. OUTSIDE CORNER DETAIL

TRANSLUCENT WALL PANEL

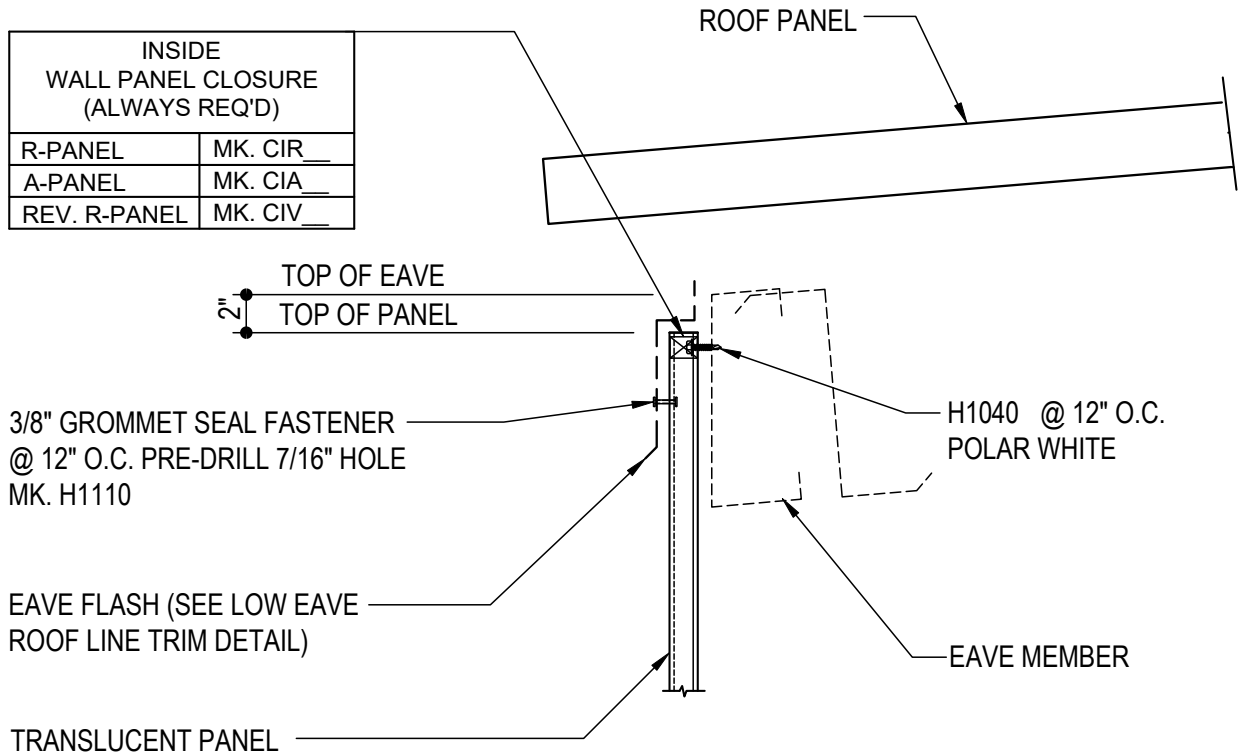
GE0095

Detailer Notes:

1) N/A

GE0100 - LOW EAVE WITH TRANSLUCENT WALL PANEL

[Download the DWG file by clicking here.](#)



ERECTOR NOTE:
 REFERENCE TYPICAL LOW EAVE
 DETAIL FOR GUTTER IF REQ'D

LOW EAVE DETAIL

LOW EAVE @ TRANSLUCENT WALL PANEL

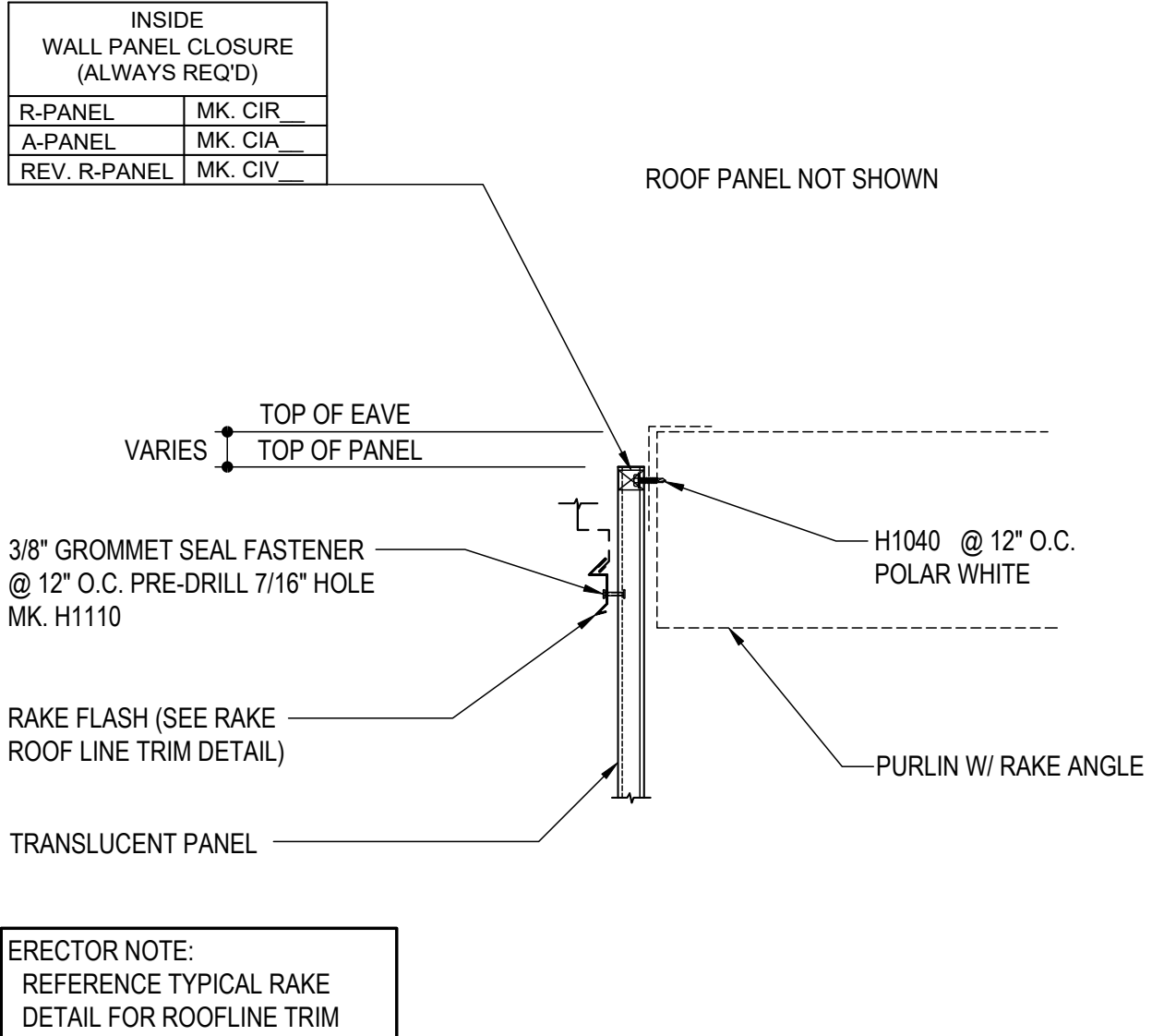
GE0100

Detailer Notes:

- 1) THIS DETAIL IS USED FOR ALL STANDARD WALL PANELS.
- 2) INSIDE CLOSURES ARE ALWAYS REQUIRED.
- 3) CLOSURE LOW EAVE LAYER MUST BE TURNED ON IF OUTSIDE CLOSURES ARE REQUIRED.

GE0110 - RAKE WITH TRANSLUCENT WALL PANEL

[Download the DWG file by clicking here.](#)



RAKE DETAIL

RAKE @ TRANSLUCENT WALL PANEL

GE0110

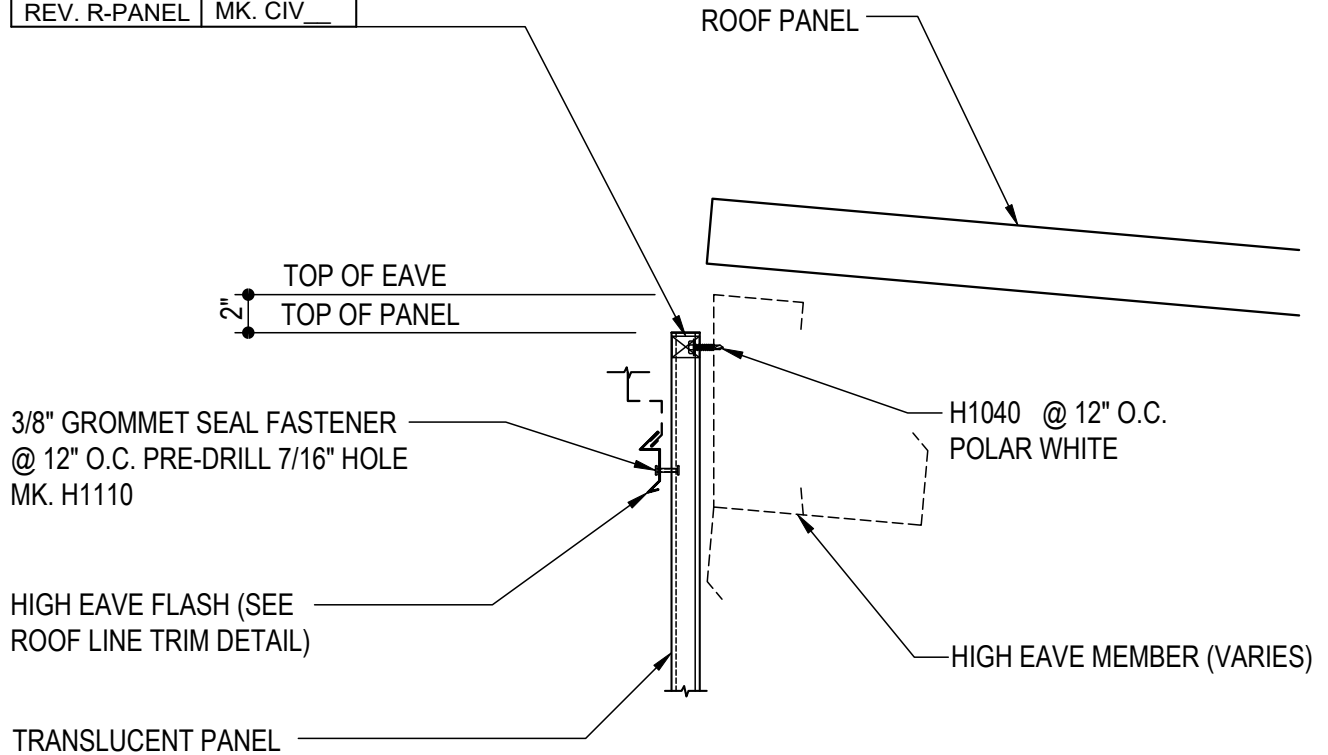
Detailer Notes:

- 1) THIS DETAIL IS USED FOR ALL STANDARD WALL PANELS.
- 2) INSIDE CLOSURES ARE ALWAYS REQUIRED.
- 3) CLOSURE LOW EAVE LAYER MUST BE TURNED ON IF OUTSIDE CLOSURES ARE REQUIRED.

GE0120 - HIGH EAVE WITH TRANSLUCENT WALL PANEL

[Download the DWG file by clicking here.](#)

INSIDE WALL PANEL CLOSURE (ALWAYS REQ'D)	
R-PANEL	MK. CIR__
A-PANEL	MK. CIA__
REV. R-PANEL	MK. CIV__



ERECTOR NOTE:
REFERENCE TYPICAL HIGH EAVE
DETAIL FOR ROOFLINE TRIM

HIGH EAVE DETAIL

HIGH EAVE @ TRANSLUCENT WALL PANEL

GE0120

Detailer Notes:

- 1) THIS DETAIL IS USED FOR ALL STANDARD WALL PANELS.
- 2) INSIDE CLOSURES ARE ALWAYS REQUIRED.
- 3) CLOSURE LOW EAVE LAYER MUST BE TURNED ON IF OUTSIDE CLOSURES ARE REQUIRED.